



Inline check sieve MKZI

High-quality end products

Hygienic design, reliable screening

This pressure-tight inline check sieve can be incorporated directly in a pneumatic conveying line. It removes foreign matter from powders and granular products with maximum reliability. Only the fine fraction passes through the screen, while coarser particles spill over the end of the screen.

Hygienic design

The machine housing and the screens are completely made of stainless steel. A new tangential inlet without screws prevents product from accumulating in the inlet. This makes the inline check sieve the perfect choice for use in the finished product section.

Flexible installation

The inline check sieve has a flexible support concept allowing standing or suspended installation of the machine. The new inlet can be turned in 90° increments to be optimally adapted to the pipe routing.



Benefits

- Maximum food safety
- Hygienic design
- Flexible installation
- Screen checks within 30 seconds
- Easy maintenance

High machine uptime

Fast screen checks and easy maintenance



Screen checks within 30 seconds

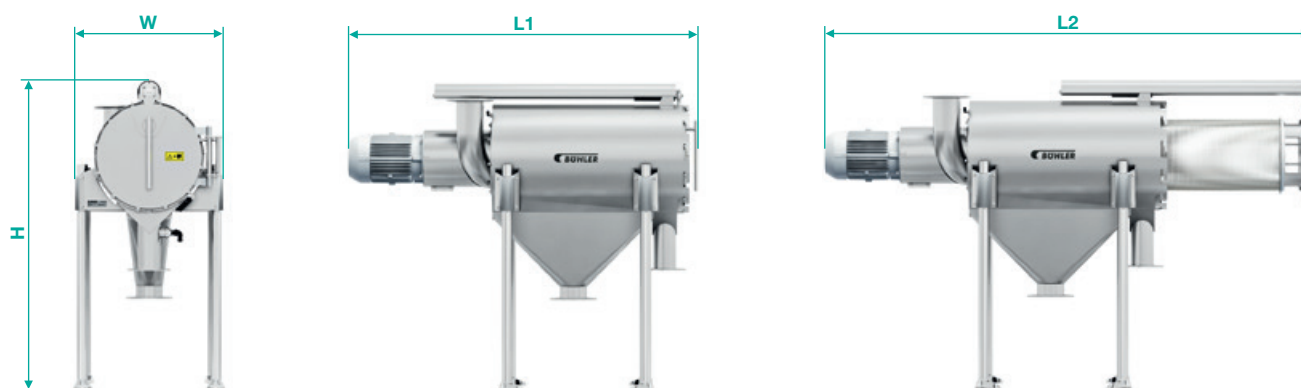
A bayonet catch that can easily be opened without a tool and a guide rail ensure quick and easy access to the screen and rotor. It takes no more than 30 seconds for a machine inspection or a screen change.

Easy maintenance

A new direct drive replaces the previous belt transmission. This increases the machine uptime by eliminating the need for replacing and retensioning the belt.

	Max. height (H) mm	Length (L1) mm	Length (L2) mm	Width (W) mm	Throughput* t/h	Operating pressure bar
MKZI 30/80	1900	1765	2905	654	30	-0,5 ... 0,8
MKZI 40/90	2100	2010	3005	825	60	-0,5 ... 1,5

* Reference value for flour with 3 mm sieve



Installation options

- Upright
- Suspended

Material

- Stainless steel
- Powder-coated steel

Sieves

- Perforation 0,75 / 1 / 1,25 / 1,5 / 1,75 / 2 / 3 / 4 / 5 / 6 / 8 / 16 mm

Options

- Screen cleaning
- Compressed air purging of bearings and seal
- Vibration detector

Bühler AG

CH-9240 Uzwil, Switzerland
buhlergroup.com

T +41 71 955 11 11
T +41 71 955 66 11

